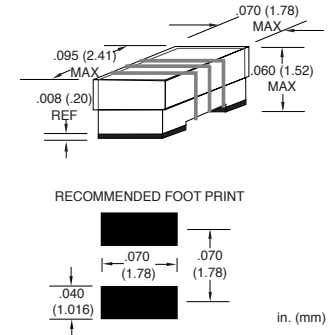


CC0805LF RoHS Ceramic Wirewound RF Inductors



| PART NUMBER | L nH | L FREQ MHz | Q MIN | Q FREQ MHz | SRF MHz MIN | DCR OHMS MAX | CURRENT RATING DC MAX mA | MINIMUM TOLERANCE CODES AVAILABLE |
|----------------|------|------------|-------|------------|-------------|--------------|--------------------------|-----------------------------------|
| CC0805-0022JLF | 2.2 | 250 | 55 | 1800 | 6000 | .050 | 1000 | J |
| CC0805-0027JLF | 2.7 | 250 | 55 | 1800 | 6000 | .080 | 1000 | J |
| CC0805-0033JLF | 3.3 | 250 | 50 | 1500 | 6000 | .080 | 1000 | J |
| CC0805-0047KLF | 4.7 | 250 | 60 | 1500 | 5000 | .080 | 1000 | K |
| CC0805-0056JLF | 5.6 | 250 | 60 | 1500 | 5000 | .090 | 1000 | J |
| CC0805-0068JLF | 6.8 | 250 | 60 | 1500 | 5500 | .10 | 1000 | J |
| CC0805-0082JLF | 8.2 | 250 | 55 | 1500 | 5000 | .10 | 1000 | J |
| CC0805-010JLF | 10 | 250 | 60 | 1500 | 4500 | .13 | 1000 | J |
| CC0805-012GLF | 12 | 250 | 65 | 500 | 4500 | .10 | 1000 | G |
| CC0805-015GLF | 15 | 250 | 50 | 500 | 4100 | .10 | 1000 | G |
| CC0805-018GLF | 18 | 250 | 70 | 500 | 3500 | .13 | 1000 | G |
| CC0805-022GLF | 22 | 250 | 55 | 500 | 3200 | .13 | 900 | G |
| CC0805-027GLF | 27 | 250 | 60 | 500 | 2700 | .13 | 750 | G |
| CC0805-033GLF | 33 | 250 | 60 | 500 | 2200 | .16 | 750 | G |
| CC0805-039GLF | 39 | 250 | 70 | 500 | 2100 | .20 | 750 | G |
| CC0805-047GLF | 47 | 250 | 65 | 500 | 2000 | .22 | 750 | G |
| CC0805-056GLF | 56 | 250 | 60 | 500 | 1900 | .25 | 650 | G |
| CC0805-068GLF | 68 | 250 | 70 | 500 | 1700 | .28 | 600 | G |
| CC0805-082GLF | 82 | 150 | 65 | 500 | 1600 | .31 | 500 | G |
| CC0805-100GLF | 100 | 150 | 65 | 500 | 1500 | .35 | 600 | G |
| CC0805-120GLF | 120 | 150 | 50 | 250 | 1300 | .37 | 450 | G |
| CC0805-150GLF | 150 | 100 | 50 | 250 | 1200 | .40 | 450 | G |
| CC0805-180GLF | 180 | 100 | 50 | 250 | 1100 | .45 | 450 | G |
| CC0805-220GLF | 220 | 100 | 50 | 250 | 1000 | .80 | 400 | G |
| CC0805-270GLF | 270 | 100 | 40 | 200 | 950 | 1.0 | 320 | G |
| CC0805-330GLF | 330 | 100 | 45 | 200 | 890 | 1.2 | 260 | G |
| CC0805-390GLF | 390 | 100 | 45 | 200 | 830 | 1.5 | 200 | G |
| CC0805-470GLF | 470 | 100 | 45 | 200 | 750 | 2.5 | 170 | G |
| CC0805-560GLF | 560 | 100 | 45 | 200 | 700 | 3.5 | 170 | G |
| CC0805-680GLF | 680 | 50 | 45 | 200 | 650 | 4.0 | 170 | G |
| CC0805-820GLF | 820 | 25 | 15 | 25 | 100 | 2.5 | 170 | G |
| CC0805-101GLF | 1000 | 25 | 15 | 25 | 100 | 2.5 | 170 | G |
| CC0805-181GLF | 1800 | 7.9 | 14 | 7.9 | 65 | 3.3 | 150 | G |
| CC0805-221GLF | 2200 | 7.9 | 15 | 7.9 | 60 | 3.8 | 150 | G |



NOTES:

- Operating temperature -40°C to +125°C
 - Excellent High Frequency Applications
 - Suitable for Reflow Soldering
 - Flat Top Cover for Pick and Place
 - Ceramic core, Terminations are Gold Plated Nickel
 - Inductance and Q measured using the HP4291A
 - SRF measured using the HP8753C
- Suffix K = 10% Tolerance
 J = 5%
 G = 2%
- Tape and Reel

TAPE AND REEL SPECS:

| | |
|-----------------------|------|
| Pcs./Reel maximum: | 2500 |
| Pitch between parts: | 4mm |
| Tape width: | 8mm |
| Reel diameter inches: | 7 |